

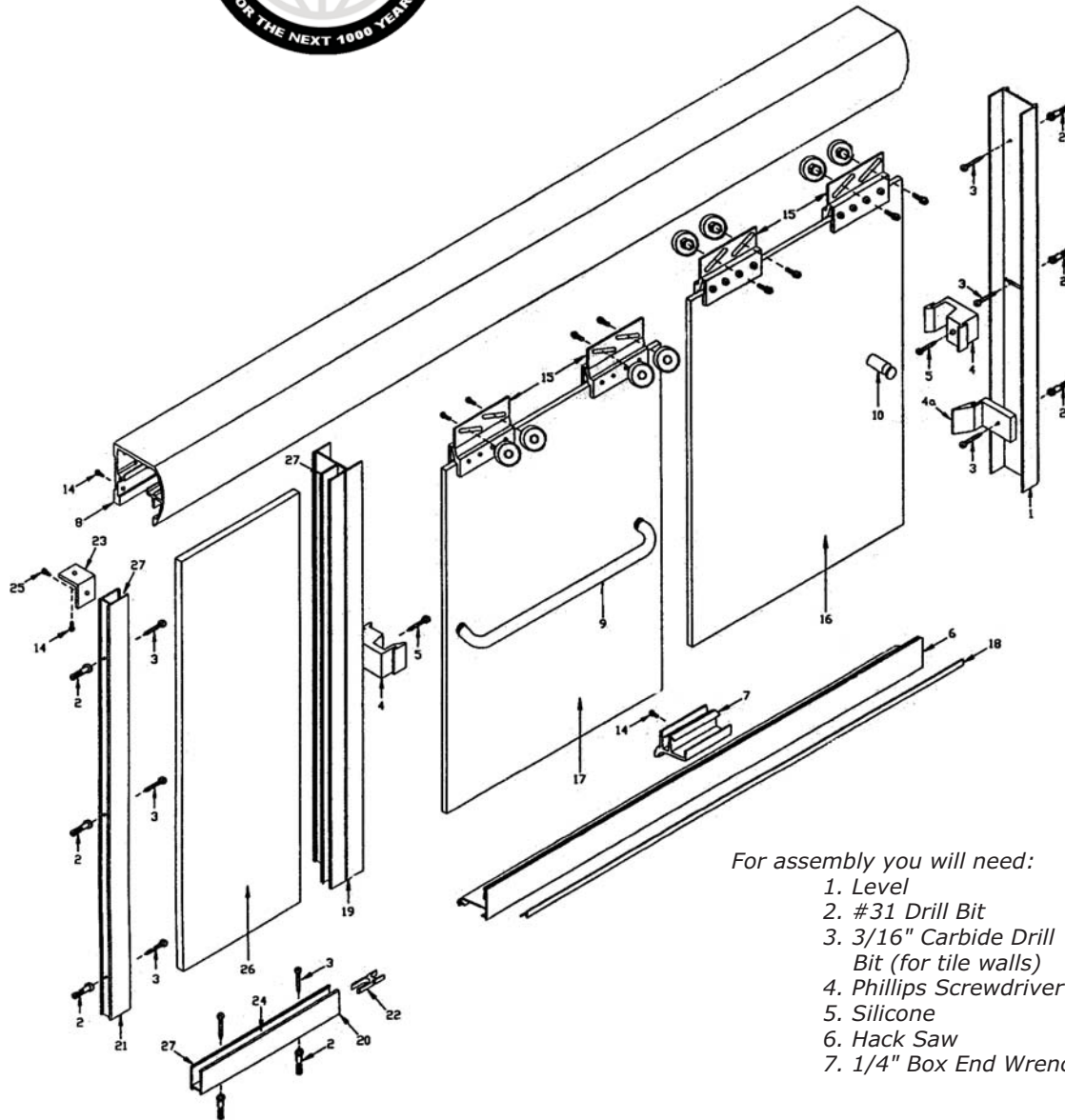
Assembly and Installation Instructions



TUB / SHOWER ENCLOSURE MTE / MSE 1600-1

When Ordering Repair Parts, Please
Give The Following Information:

1. Model Number
2. Part Number
3. Part Description
4. Color



For assembly you will need:

1. Level
2. #31 Drill Bit
3. 3/16" Carbide Drill Bit (for tile walls)
4. Phillips Screwdriver
5. Silicone
6. Hack Saw
7. 1/4" Box End Wrench

Description	Qty.	Part #	Picture
1. Wall Jamb	1	MTE1203	
2. Wall Anchors	8	ANCHOR	
3. #8 x 1 1/2 SMS Screws	8	MBG812-SMA	
4. Door Bumpers	2	MBG-924	
4a. Bottom Bumper	1	MBG-926	
5. 6-32 x 1/2" MS Screws #6 x 1/2 TC	2	MBG612-TC	
6. Bottom Sill (with MV-918)	1	MTE1522	
7. Center Guide - 3"	1	MBG-530-3	
8. Header	1	MTE1601	
9. Tubular Towel Bar	1	MTE1605	
10. Solid Tubular Inside Pull	1	MTE1607	
11. Towel Bar Pull Fasteners	3	1/4" pull fastener	
12. Nylon Towel Bar Washers	6	3/4" nylon washer	
13. Nylon Towel Bar Sleeves	3	1/4" nylon sleeve	
14. #6 x 3/8" SMS	4	MBG638-SM	
15. Double Roller Bracket Assembly - 3"	4	MTE1208-F	
16. Inside 1/4" Glass Panel w/ one 1/2" hole	1	Inside Slider	
17. Outside 1/4" Glass Panel w/ two 1/2" holes	1	Outside Slider	
18. Door Guide Vinyl (with MTE1522)	1	MV-918	
19. 180-Degree Post	1	MTE1218	
20. Curb Channel	1	MD11006	
21. Wall Channel	1	MD11006	
22. Post to Curb Key	1	MBG180-316	
23. Clip	1	MBG90-1516	
24. Glass Support Block	1	MV-902	
25. #6 x 1/4" SMS B Screws	1	MBG614-SM	
26. In-Line Glass Panel	1	I/LPANEL	
27. Vertical Seal Vinyl		MV-909	
28. Header Retainer Clip	2	MV-952	

Assembly and Installation Instructions



Note: Apply a bead of silicone (GE1200) into the open channel of roller bracket before attaching to glass. To assemble roller bracket (15) to glass, tighten screws until surface of roller bracket is depressed 1/32" (28 inchpounds of torque). Allow to cure for 24 hours before hanging sliders.

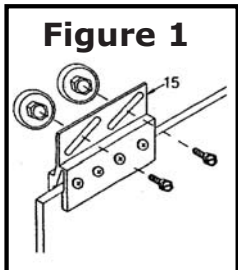


Figure 1

1. Set wall jamb (1) in place on wall, centering bottom of jamb on rim of tub. Hold plumb and mark walls for screw holes.
2. Remove and drill 3/16" diameter holes in walls (use a carbide tipped drill bit for tile walls). Insert plastic wall anchors (2) into holes. Silicone where the wall meets the rim of the tub to seal the bottom jamb. Set jamb in place and secure to wall with #8 x 1 1/2" screws (3). Secure Bottom Bumper (4a) on showerhead / Inside side with bottom wall jamb screw (3).
3. Cut bottom sill (6) 7/16" smaller than slider opening. Run a bead of silicone full length to the underside of sill (6) and apply silicone to inside of jamb where jamb meets tub. On inside of jamb, run a 1/4" bead of silicone 1 1/4" up the outside leg of wall jamb (See Figure 2). Set sill

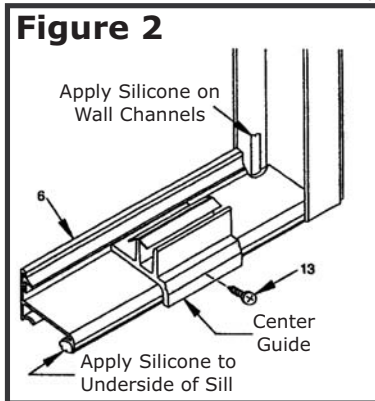


Figure 2

in place and press firmly to rim of tub. Wipe off any excess silicone before curing.

4. Hold 180-degree post (19) in place over end of guide and measure from post to wall to arrive at curb channel length. Cut curb channel (20) to length and set in place, weep hole(s) to inside. Apply a bead of silicone to underside of curb channel and insert post to curb key (22) into end of curb channel.
5. Set wall channel (21) on curb channel, hold plumb and mark the wall for the screw holes. Remove wall channel, insert screw anchors. Fill curb channel with silicone where curb channel meets wall. Set wall channel in place and secure with #8 x 1/2" screws (3). Secure clip (23) to top inside leg of wall channel with a #6 x 1/4" screw (25).

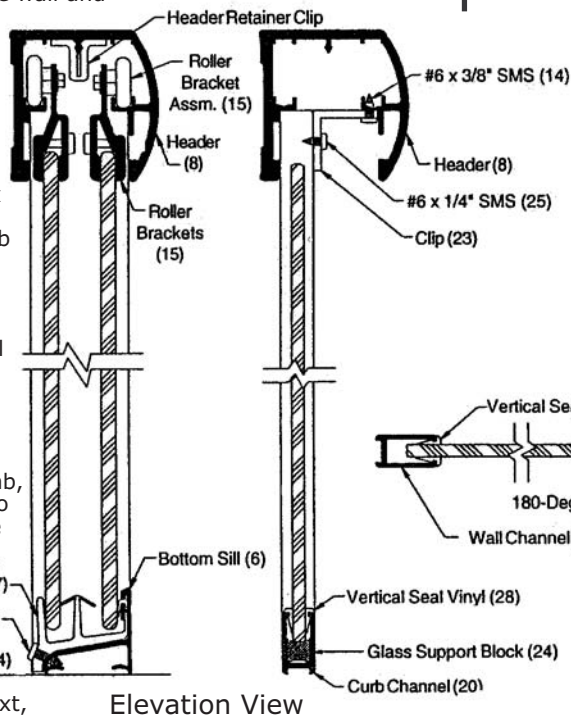
6. Place glass support block (24) in center of the curb channel. Set panel (26) into curb channel and into wall channel. Using the vertical seal vinyl (27) tack panel in place.

7. Silicone curb between guide and curb channel to provide a seal for the bottom of the post. Fill channel of the post with silicone, opposite the bumper location. Set post in place on curb and over edge of panel. Be sure post to curb key inserts into the channel of the post. Tack post in place, at top only, with vertical seal vinyl.

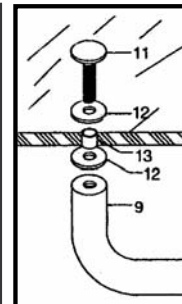
8. Cut header (8) to length and set in place over jamb, post and wall channel. Hold post plumb and secure to inside of header with a #6 x 3/8" screw (14). Secure header at walls to inside leg of jamb and to clip on the wall channel with #6 x 3/8" screws.

9. Insert vertical seal vinyl (27) into wall channel, post and curb channel on both sides of panel.

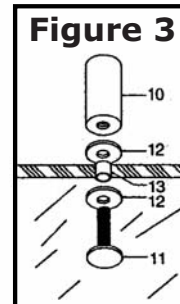
10. To set slider glass in place, hold inside slider panel (16) inside of tub or shower pan, insert rollers up into header and lower into place. Next, insert lower end of outside slider (17)



Elevation View



Outside Door Panel



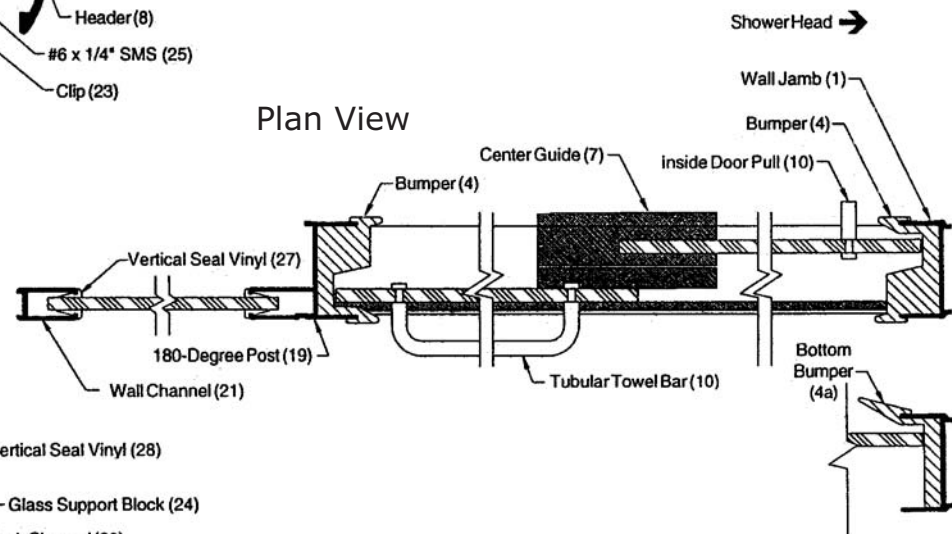
Inside Door Panel

in front of inside slider by pushing lower ends far enough in to allow clearance on inside edge of tub or pan. Avoid roller bracket to roller bracket contact while lifting panel into place. The outside slider will close against the jamb opposite the showerhead.

11. Place center guide (7) to center position on sill. Make sure the center guide is hooked onto the slot position on the sill, then drill a hole using a #31 drill bit and fasten center guide to sill with the #6 x 3/8" screw (14) provided.
12. Close panels and adjust to align the vertical edge of panels with jamb and post. Using a 1/4" box-end wrench, loosen the screws on the rollers, but don't remove completely. When screws are loose, adjust panel by sliding the screw in the slot. **Note:** When screws are loose be sure to support panel so it does not fall and break. Adjust inside slider as low as possible to reduce the gap between bottom of slider and sill taking care that the glass does not drag on the track or center guide. Adjust for bowed glass by using the slotted hole in the jamb. Secure bumpers to the jamb using 6-32 x 1/2" screw (5).

13. To install towel bar (9), place nylon towel bar insert sleeves (13) into holes in the glass (17). Next, hold the tubular towel bar (9) against the hole in the glass with the nylon towel bar/pull washer (12) between the glass and the towel bar. Place a nylon towel bar/pull washer on the towel bar/pull screw (11) and secure towel bar in place on both ends. Install the pull the same way the towel bar was installed. Use hole in fastener to tighten (See Figure 3).

Figure 4



Plan View

For the next thousand years.