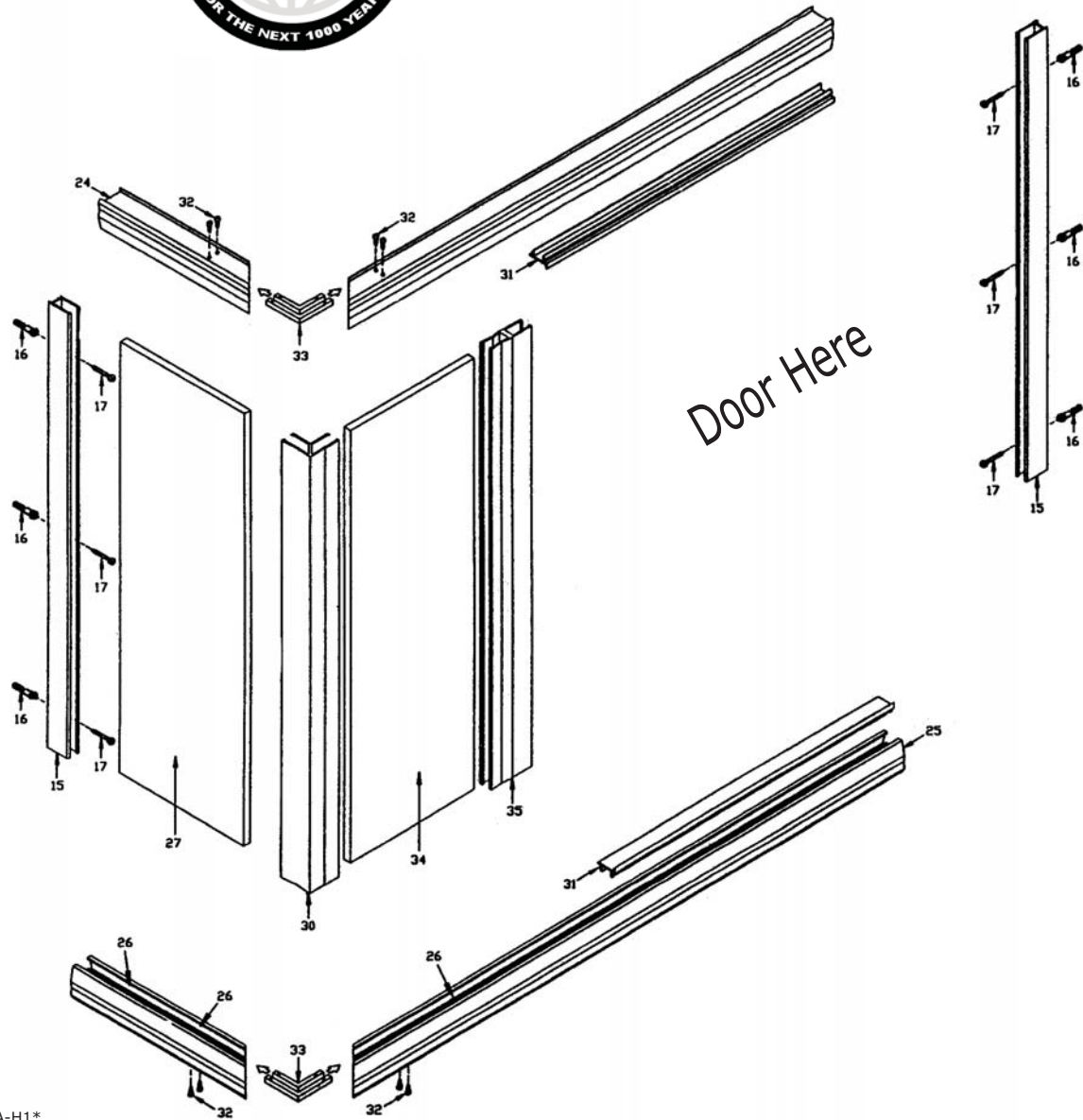




SHOWER ENCLOSURE
MSS1190-38-48

For assembly you will need:

1. Level
2. #31 Drill Bit
3. Glazing Block
4. Hack Saw
5. 3/16" Carbide Drill Bit (for tile walls)
6. Phillips Screwdriver
7. Silicone



When Ordering Repair Parts, Please Give The Following Information:

1. Model Number
2. Part Number
3. Part Description
4. Color

Description	Qty.	Part #	Picture
15. Wall Channels *	2	MD11006	
16. Wall Anchors *	6	ANCHOR	
17. #8 x 1 1/2" SMS Screws *	6	MBG8112-SM	
21. #6 x 3/8" SMS Screws	12	MBG638-SM	
24. Headers - Mitered 45 degrees	2	MSS-1101	
25. Curbs - Mitered 45 degrees	2	MSS-1101	
26. Glass Support Blocks	3	MV-902	
27. 90-Degree Glass Panel	1	Glass Side Panel	
28. Vertical Seal Vinyl	8	MV-909	
29. Horizontal Seal Vinyl	4	MV-906	
30. 90-Degree Post	1	MSS-1104	
31. Header and Curb Fillers	2	MSS-1102	
32. #6 x 1/4" SMS B Screws	8	MBG614-SM	
33. 90-Degree Header / Curb Clips	4	MBG90-1043	
34. In-Line Glass Panel	1	I/LPANEL	
35. In-Line Post	1	MSS1103	

Assembly and Installation Instructions

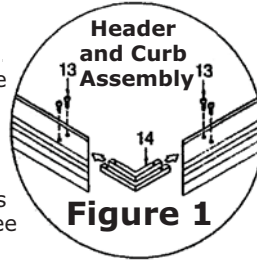


Note: Wall channels (15) used in stall shower installation are shipped with the shower door. Read both Door and Stall instructions before installation.

1. Add 1/2" to centerline measurements for outside dimension of curb (25). Cut to length

Mark location of curb on threshold with pencil so that curb may be placed back in same position later on.

2. Assemble header (24) and curb (25) using two 19/64 90-degree clips (33) into header and two clips (33) in curb. Using holes provided in header and curb, use a #31 drill bit to drill holes into clips. Then secure using eight #6 x 1/4" SMS screws (32). See Figure 1.



3. Leave curb in place temporarily. Set wall channels (15) into recess in curb. Hold plumb and mark for screw holes. Remove wall channels and curb. Drill 3/16" holes in wall using a 3/16" carbide tipped drill bit. Insert plastic screw anchors (16) into holes. Run a 1/4" round bead of silicone to the full length of the underside of curb, across miters, screw clips and fill each end of curb with silicone where curb meets wall. Also silicone joint where curb or pan curb meets vertical wall (in the area that will later be covered by metal curb).

4. Replace curb on threshold and apply silicone **INSIDE OF CURB** at miters, on the top of curb screws and at both walls. Replace wall channels and secure to walls using #8 x 1 1/2" SMS screws (17).

5. Insert two glass support blocks (26) in curb and set 90-degree panel glass (27) in place in curb and wall channel (smooth side of glass to inside). Hold panel in place by starting approximately six inches of the vertical seal vinyl (28) into the wall channel at top of the glass panel, both inside and out. Adjustments for out-of-plumb walls are accomplished by the movement of the glass panel in and out of channels. For proper installation of vinyl for water tightness, the glass must extend at least 1/4" into channels.

6. Set corner post (30) in place over glass and into curb (fluted side of post next to the panel glass). Hold post in temporary position by securing at top with vertical seal vinyl (28) and at bottom by securing post to curb with #6 x 3/8" SMS (21) on inside of curb on the door side.

7. Insert glass support block (26) in curb where in-line glass panel (34) will go.

8. Set in-line glass post (35) in place (smooth side of glass to inside) and move all the way into corner post (30). Tack in place at top only with vertical seal vinyl (28).

9. Set in-line post (35) in position (fluted side toward fixed panel) and move as far onto glass as possible. Tack in place at top with wall channel vinyl. To get door and panel to fit opening, your unit has 1" adjustment in fixed panel and 1" adjustments in door. 1/2" maximum at each point. Most installers prefer to take the maximum adjustment out of the stationary panel and the remainder out of the door. There are two things to consider when determining these adjustments. First, the glass of the fixed panel must go into the corner post and in-line post at least 1/4" at both sides. This is to ensure that the vinyl will hold the glass properly and provide adequate water protection. A good way to remember this is that the distance between the corner post and in-line post on stationary panel side can never be narrower than panel size minus 1 1/2" and never wider than panel size minus 1/2". For example: A 10" panel = 8 1/2" minimum distance and 9 1/2" maximum distance. Second, the opening for the door must be adequate. The curb and header filler (31) will help you determine this. Minimum length for header filler is door size minus 1 7/8" and the maximum

length is door size minus 7/8". For example, for a 24" panel, the minimum length of curb or header filler is 22 1/8" and the maximum length is 23 1/8". However, if the adjustable latch jamb is used, add 3/16" to these measurements, making the minimum length of curb and header filler for a 24" panel equals 22 5/16" and the maximum length equals 23 5/16".

10. Temporarily set in-line post (35) so that the distance between wall channel on door side and in-line post is at least the minimum measurement for the curb filler. For example, a standard 24" panel is 22 1/8" (a 24" panel w/ adjustable latch jamb is 22 5/16") Now check the plumb of the wall on the door side. If wall is leaning in towards the center 3/8", then this 3/8" must be added to the length of the curb filler. If the wall is leaning out, away from the center, the curb filler remains the same and the out condition measurement is added to the **HEADER FILLER** measurement (Provided the measurement doesn't exceed the maximum.). Move in-line post accordingly.

11. Now check panel side measurements to be sure you are within the tolerances at both top and bottom. If the measurements are good cut curb filler (31) to size and install with the 1/8" raised lip to the outside. If the panel size measurements are not good, move in-line post accordingly, remembering that you have four places to adjust; at hinge side, the latch side and both sides of the fixed panel. Header and curb filler should always fit tight between the wall channel and in-line post, both at the top and at the bottom.

Refer to Shower Door Installation Instructions for Door Assembly

12. Set door (with hinge jamb attached) over wall channel using adjustments derived from Step #10. Door with hinge clip should be resting on **TOP** of curb filler (31). Use a #31 drill bit and #8 x 3/8" SMS (21) to secure hinge jamb to wall channel.

13. Apply the 3" handle vinyl (19) on handle edge of door glass. Top of vinyl should be 1 1/2" above center. Tap on handle (20).

14. Pull in-line post (35) over until it butts to curb filler (31) at bottom.

15. Snip excess vinyl from latch jamb vinyl (18), crimp at bottom and place latch jamb over in-line (35), but **DO NOT SECURE**.

16. The heat treating of the glass sometimes causes the glass to bow. To insure water tightness at the latch, it is important to get the latch jamb to follow the bow in the glass as closely as possible. Because door glass closes against latch jamb and in-line post which are not held firmly in place with header at this time, it is necessary to substitute your 4 ft. level or straight edge to align door wall channel and in-line post with latch jamb and corner post until header lengths are determined.

17. Stand inside shower and hold the straight edge on outside of wall channel, in-line post and 90-degree corner post above door. Holding them in line, pull door closed and align to latch jamb by moving the 90-degree corner post (30) in and out at top of 90-degree panel (27).

For the next thousand years.



MSS1190-38-48 cont.

18. Step #17 determines the length of the header (24) over the in-line panel (34). DO NOT MOVE FROM THIS POSITION ON STATIONARY PANEL GLASS. Now plumb the corner post to the door side wall and measure the distance from both walls to the outside edge of corner post. Add 1/4" to these measurements and you have the outside dimensions to your header. Cut to size.

19. Place header (24) into position over wall channels (15), corner post (30) and in-line post (35). Recheck alignment of door at latch jamb. If alignment is still good, move in-line post tight against your curb filler at the bottom. Plumb and measure header filler (31). Cut header filler and snap into place in the header with the 1/8" lip to outside.

20. Secure headers to wall channel on stationary panel side with #6 x 3/8" SMS (21) on inside of header. Before securing header over door, make header parallel

with top of door by moving it up or down at either wall channel or corner post. Once this is done secure header to wall channel, in-line post and corner post with #6 x 3/8" SMS on inside of the header. Secure in-line post and 90-degree corner post to curb in same fashion.

21. Complete the installation of vertical seal vinyl (28) in wall channel and corner post.

22. Install horizontal seal vinyl (29) at top and bottom of stationary panel both inside and out.

23. Recheck alignment of door and corner post. If installation of vinyl into corner post has pushed corner post out of alignment, realign by tapping corner post back or forth on stationary panel until it is realigned.

24. Adjust latch jamb (18) for good fit (normally 3/6" clearance from edge of door to latch jamb is perfect, see Figure 2). Now secure with #6 x 3/8" SMS (21).

25. Adjust drip trough (7), up at latch side of door and down at hinge side of door so water will drain into shower when door is opened. Adjust splash vinyl (6) to within 1/8" of curb. IMPORTANT: Splash vinyl should never be in direct contact with curb! A 1/8" space should exist between vinyl and curb.

26. Silicone along inside and outside edge of metal and tile.

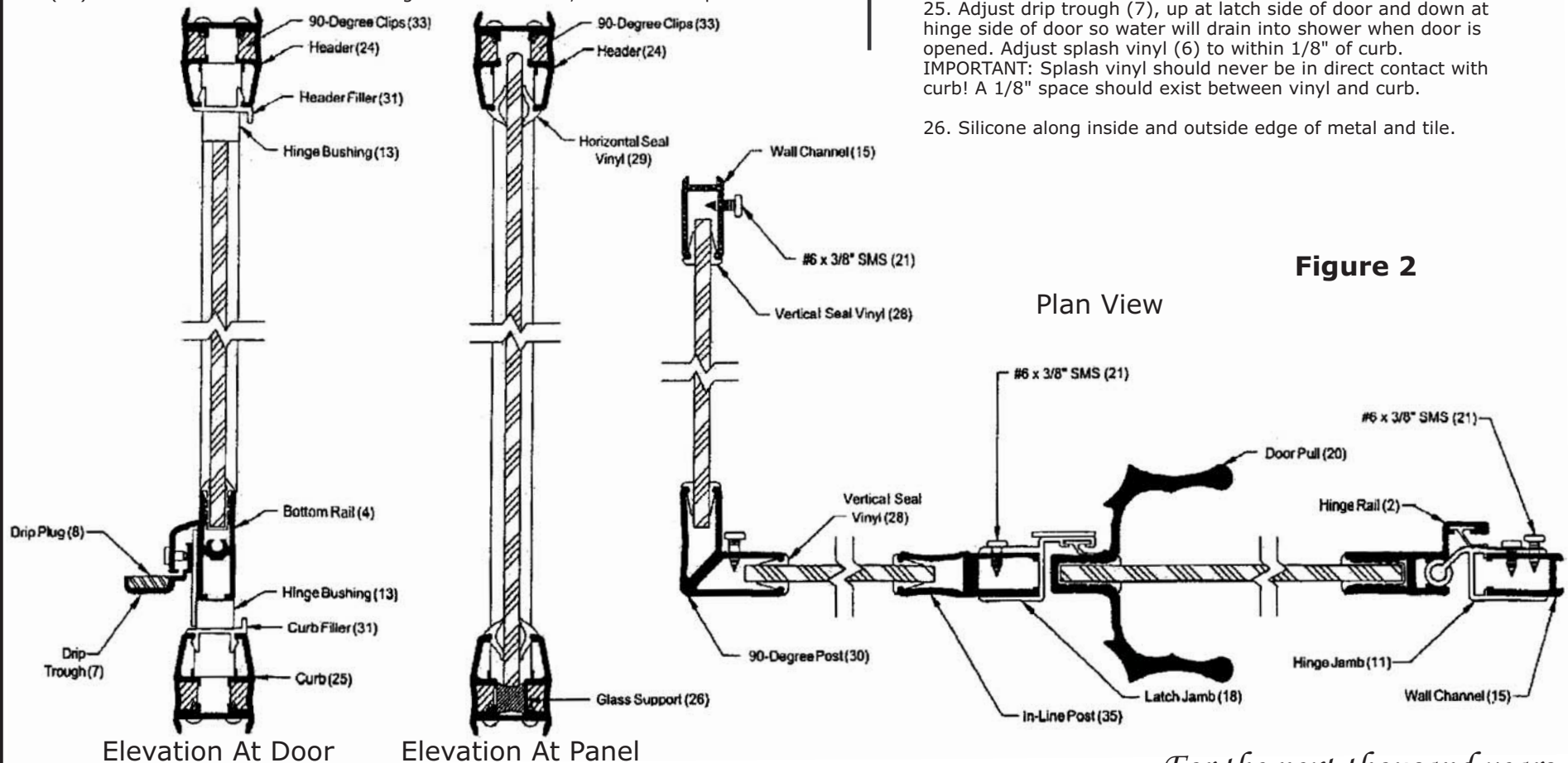


Figure 2

Plan View

For the next thousand years.